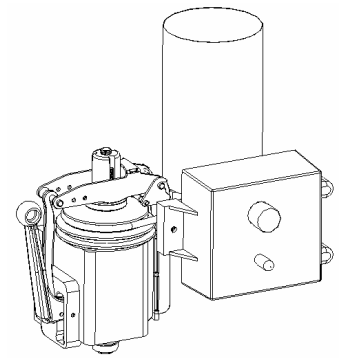


Home Shop Accessories  
Quick Change Mechanism  
Photographic Assembly Sequence

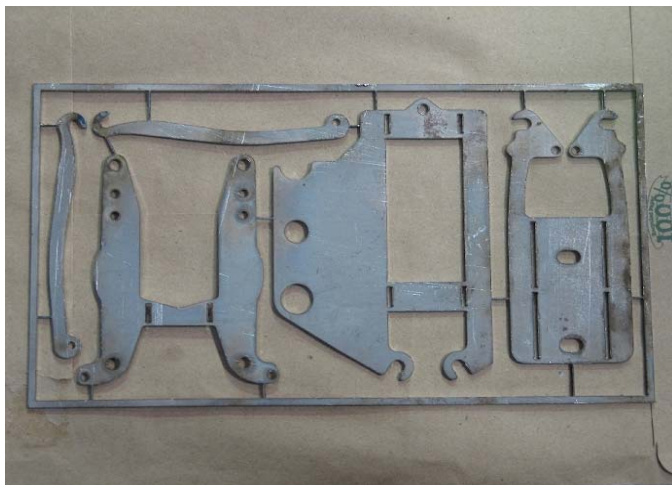
[www.hsacc.com](http://www.hsacc.com)

Questions, Comments, and Suggestions

[homeshopaccessories@insightbb.com](mailto:homeshopaccessories@insightbb.com)



**WARNING!!** Photos are meant as a guide to assembly, please read and understand assembly instructions before assembling your quick change mechanism!!!



Parts as received



Snip parts from frame



File off sharp tabs



Bend Actuator Lever



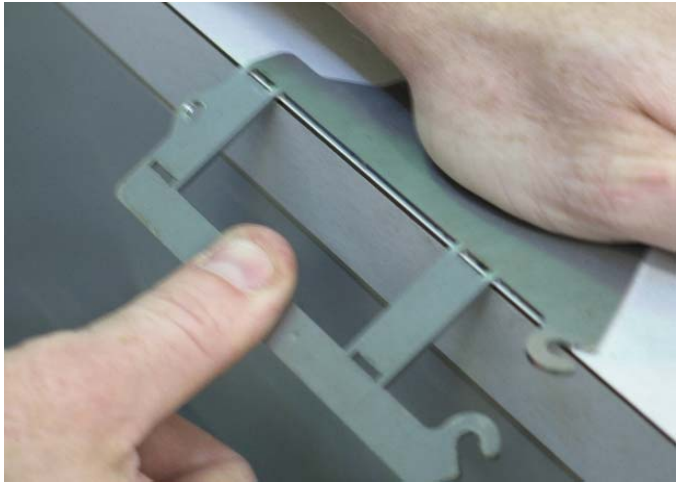
Square up Actuator Lever



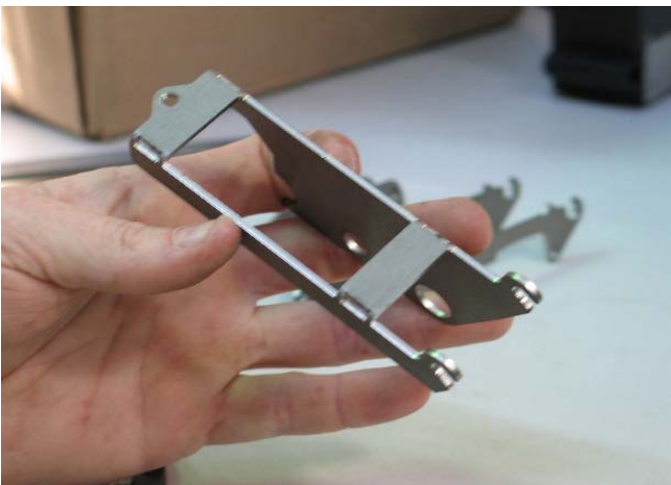
Bend Main Bracket



Main Bracket ready



Bend Motor Bracket



Motor Bracket ready



Install Motor Bracket





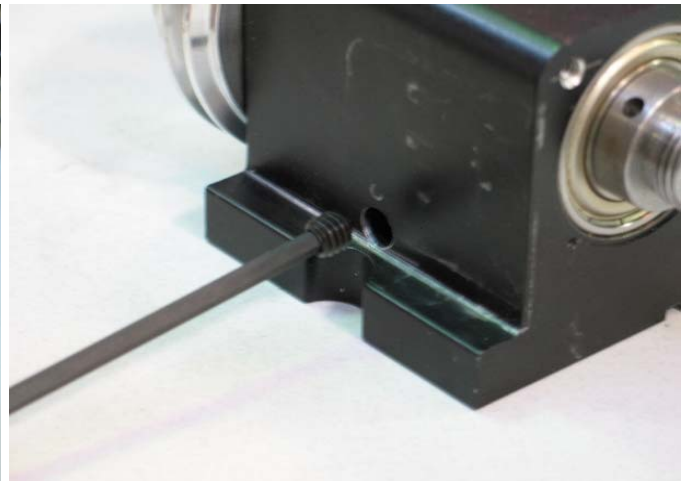
Motor Bracket installed



Attach motor control box



Control Box installed



Install Short set screw and threaded insert



Install Lever Mount



Install Main Bracket & Sherline Motor Mount



Assemble Actuator Lever w/pins and springs



Install Actuator Lever Assembly



Assemble Connecting Rods to Lever



Insert Nut inside Spring Cup



Slide Belleville Springs into Spring Cup



Thread on bushing and install drawbar





Insert Drawbar Assembly



Attach Lever Assembly



Pin Lever to Lever Mount



Ready to Go!!



Pull Lever Down



Install Collet