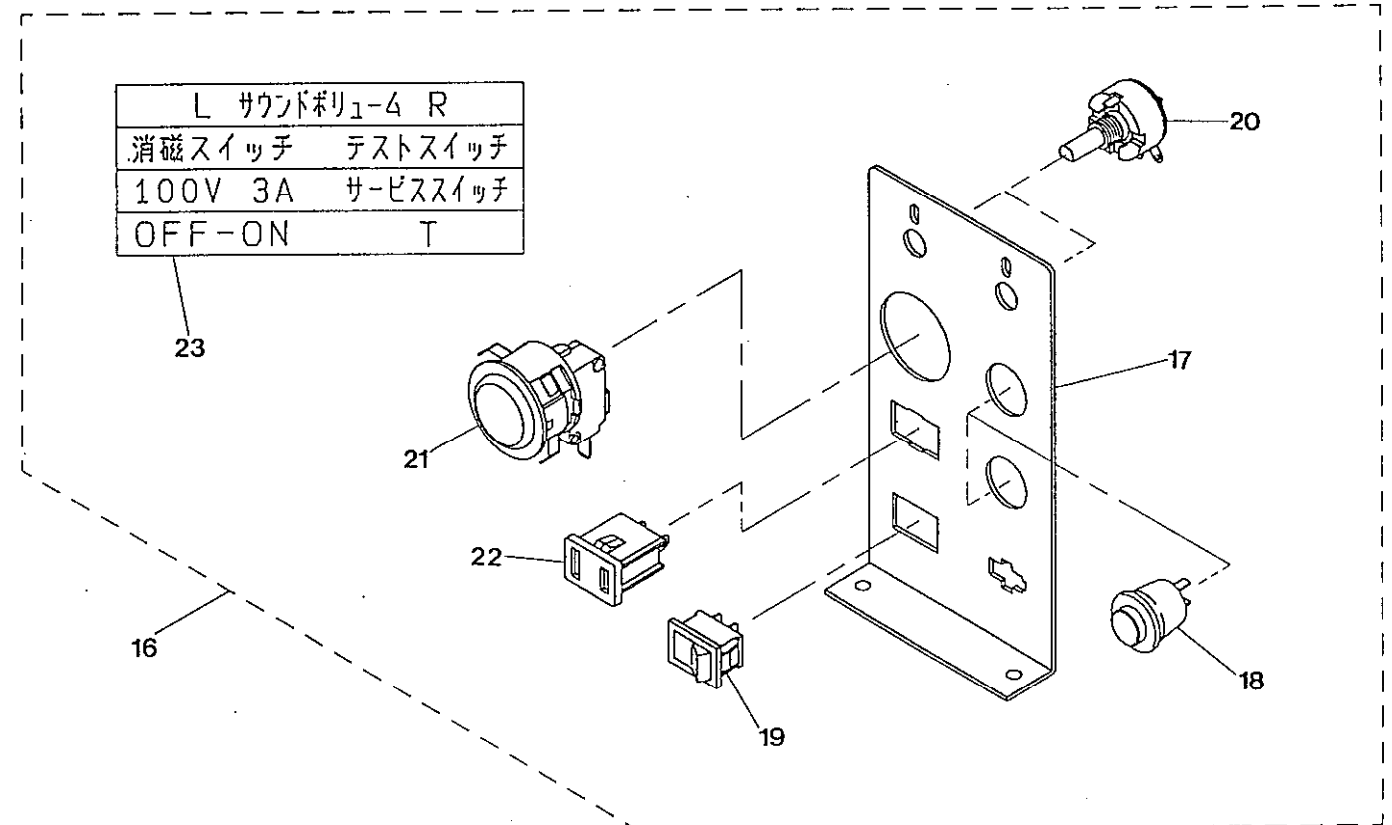
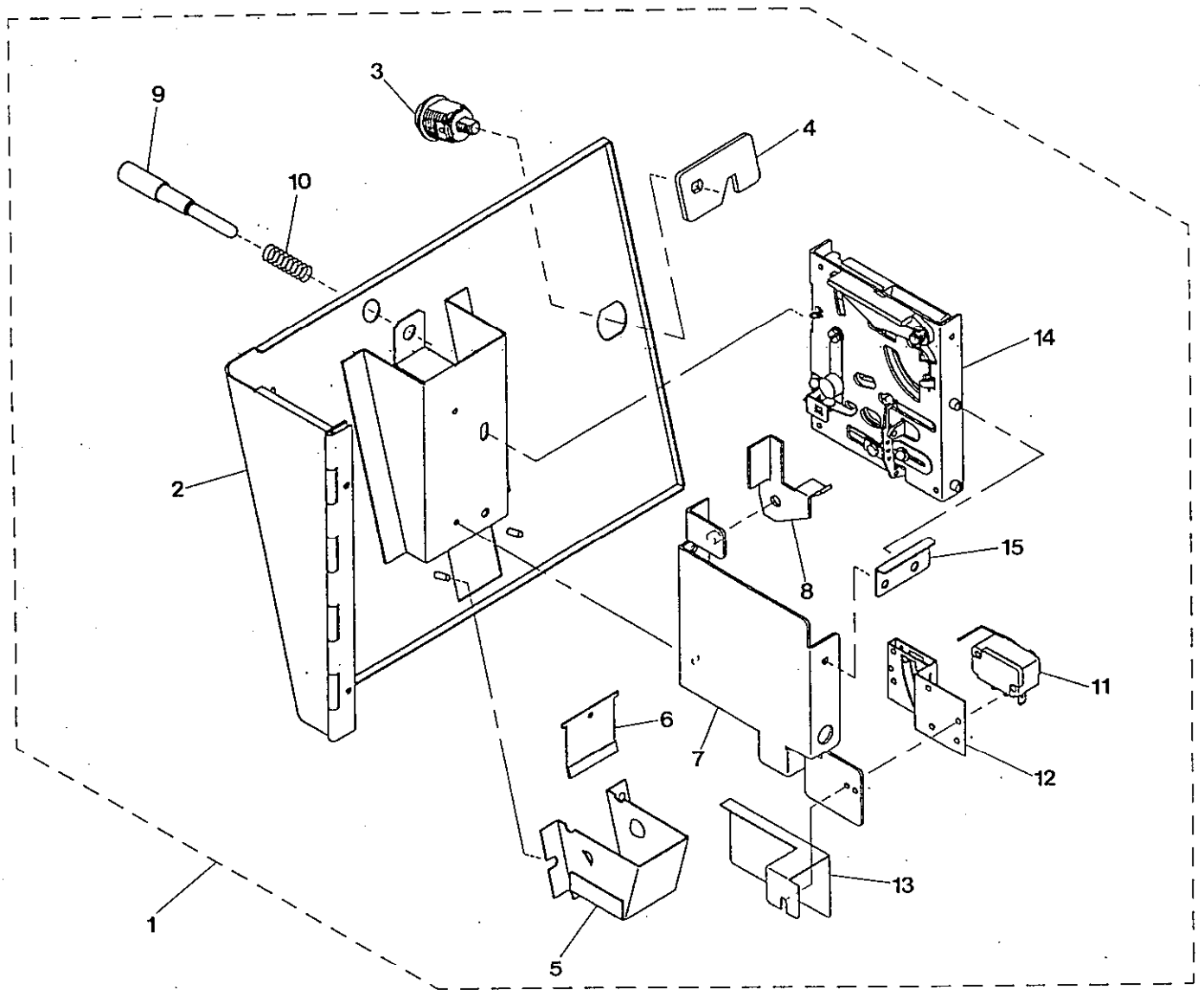
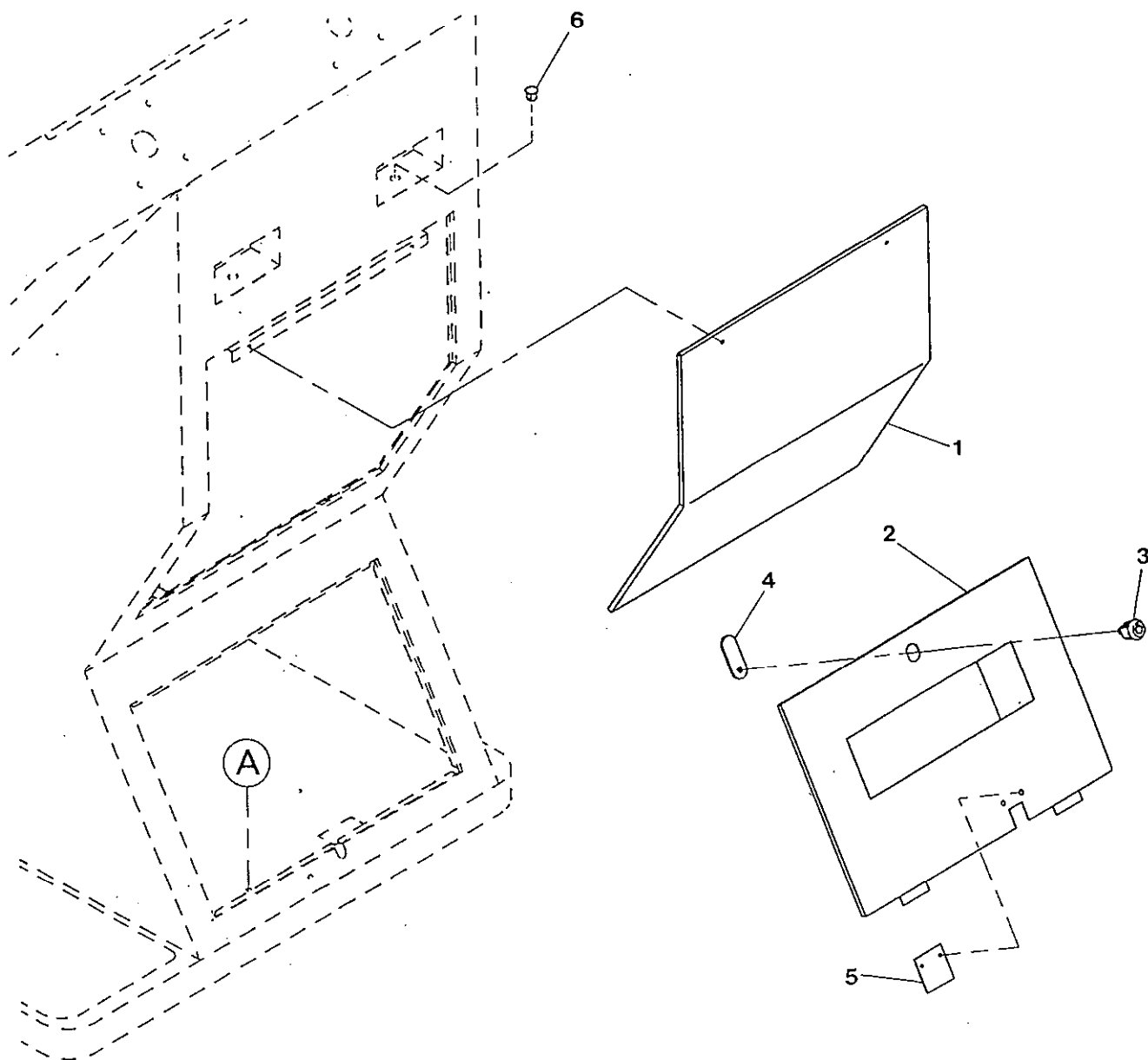


ITEM	PARTS No.	DESCRIPTION	
1	———	CONTROL PANEL ASSY	
2	青F90 03073A	CONTROL PANEL	
	赤F90 03312A	CONTROL PANEL	
3	E30 10620A	LOCK BRACKET	
4	E30 10624A	BASE HOLDER	
5	E90 00804A	TOP HANGER	
6	青G95 00726A	SELECT PLATE	CARD READER
	赤G95 00786A	SELECT PLATE B RED	
7	F90 03171A	LED PLATE	
8	青G95 00724A	SELECT PLATE	
	赤G95 00785A	SELECT PLATE A RED	
9	E20 00091A	COIN ENTRY MOLDING	
10	E30 00262A	ENTRY PLATE	¥100
11	C02 00330A	PUSH BUTTON SWITCH	WHITE OBSF-24
12	G60 00179A	PRICE CARD	1P-¥100 1P-¥50
13	E30 10621A	PRICE CARD HOLDER	
14	青G55 00279A	CONTROL PLATE	2J8B
	赤G55 00286A	CONTROL PLATE RED	
15	E30 10622A	CONTROL BASE SUPPORT	
16	C02 00346A	SPEED PUSH BUTTON	ORANGE OBSF-30
17	C02 00288A	SPEED PUSH BUTTON	YELLOW OBSF-30
18	F90 01053A	BUTTON COVER D=30	DP-1187
19	K91 00287A	LED PC BOARD ASSY	
	L30 00432D	K HARNESS W	
20	M03 01632A	CONTROL BASE ASSY	
21	E30 10623A	CONTROL BASE	
22	M01 00166A	JOYSTICK ASSY BLACK KNOB	D=35 LS-32

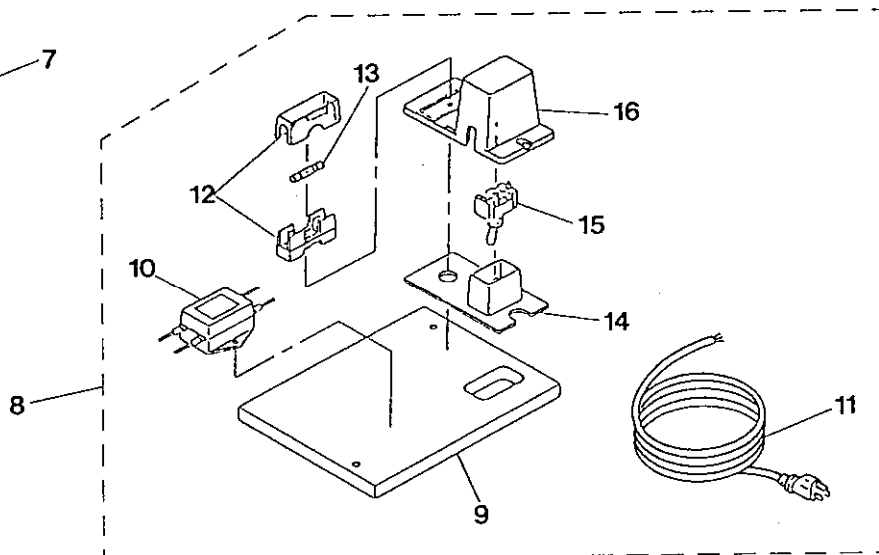


ITEM	PARTS No.	DESCRIPTION	
1	M05 00264A	REJECTOR DOOR ASSY	
2	E30 10457A	REJECTOR DOOR	
3	E50 00113B	LOCK & KEY SINGLE	LY-0069
4	E30 10626A	DOOR LOCK	
5	E30 10625A	CUP	
6	E30 03641A	SHUTTER	
7	E90 00708A	REJECTOR HOLDER	
8	E30 09250A	LEVER	
9	E10 01297A	CANCEL ROD	
10	E40 00230A	BUTTON SPRING	
11	C02 00365A	MICRO SWITCH	E53-60R-003A
12	E30 00285A	MS COIN GUIDE	
13	E30 00180A	ACTUATOR COVER	
14	E50 40091A	REJECTOR	¥100 AD-81PP
15	E30 00948A	LOCK PLATE	
16	M90 03105A	SERVICE CONTROL ASSY	
17	E30 10627A	SERVICE BRACKET	
18	C02 00313A	PUSH SWITCH	DS-412 2P
19	C02 00410A	ROCKER SWITCH	MSR-2
20	A21 06601A	VARIABLE RESISTOR	100 OHM RPH10A
21	C02 00300A	PUSH BUTTON	B30-R(100)
22	C05 50485A	SERVICE OUTLET	CR-01
23	G10 00982A	SERVICE STICKER	
	L90 02899A	D HARNESS	

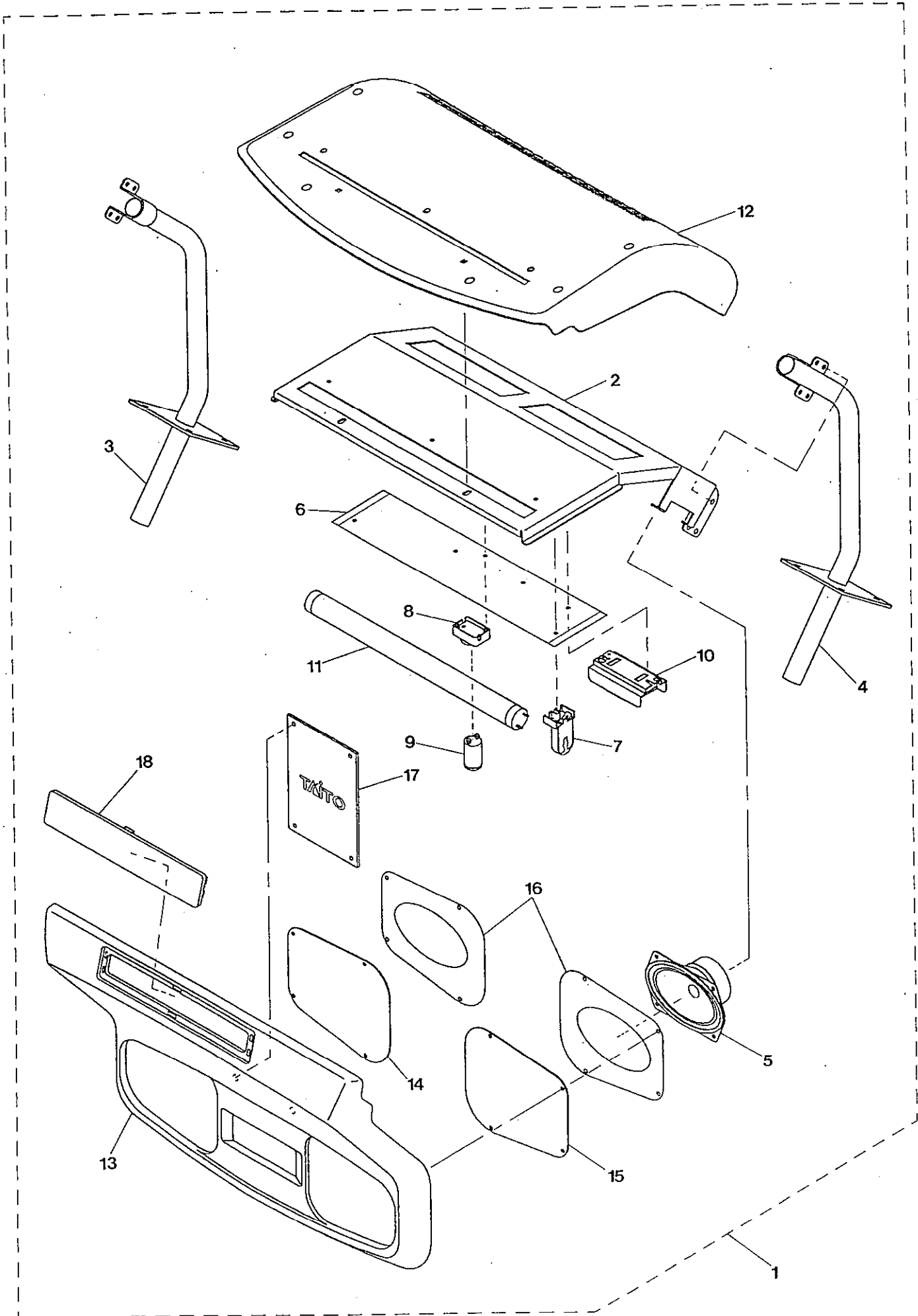


7

⚠ 危険 ⚠ DANGER 高電圧注意 HAZARDOUS VOLTAGE	
<small> 注意、電圧降下 防止のため、 電源ケーブルを 必ず接続し、 電源スイッチを ONにしてください。 </small>	<small> CAUTION: HAZARDOUS VOLTAGE TO PREVENT ELECTRICAL SHOCK, ALWAYS CONNECT THE POWER CORD AND TURN THE POWER SWITCH ON. </small>
OFF-ON	7-λ 7-λ 3 A
COIN METER	7-λ 7-λ 5 A
SERVICE OUTLET	E E ON
NOT USE	E E I
0.5A 1A 2A 6A	OFF
SOUND VOLUME SWITCH	SOUND VOLUME SWITCH
TEST SWITCH	CLEAR SWITCH SEAT VOLUME L R



ITEM	PARTS No.	DESCRIPTION	
1	E30 10461A	BACK DOOR	
2	E30 10463A	CORD BOX DOOR	
3	E50 00127B	LOCK SINGLE	LY-0069
4	E30 00009A	LOCK PLATE	
5	E30 10600A	MASK PLATE	
6	F90 01871A	HEYCO HALL PLUG	2633DP-437
7	G10 01106A	CABINET STICKER SHEET	
8	M90 03106A	ELECTRIC BASE ASSY	
9	D20 01249B	POWER BOARD	
10	C18 00026B	NOISE FILTER	MR-2055 250V 5A
11	C07 00209A	AC CORD	WITH PLUG 3P -F-
12	C05 50149A	FUSE HOLDER	1P F-7101
13	C16 00037A	FUSE	5A 125V
14	F90 03665A	MAIN SWITCT BASE	
15	C02 00020A	TOGGLE SWITCH	ET125A-12
16	F90 03664A	MAIN SWITCH COVER	
	L90 03283A	POWER HARNESS	



ITEM	PARTS No.	DESCRIPTION	
1	M90 03120A	ILLUMINATION BOX ASSY	
2	E30 10646A	ILLUMINATION SUPPORT	
3	E90 00809B	PIPE L	
4	E90 00810B	PIPE R	
5	A60 00086A	SPEAKER	8 OHM 5.5W 3x5
6	F90 03155A	INSULATION SHEET	
7	C05 50303A	FL SOCKET	1A 250V
8	C05 50352A	GLOW SOCKET	1A 250V
9	C14 00104A	GLOW LAMP	FG-7P
10	C10 00301A	CHOKE TRANS	10W FBAB-11L-US7
11	C15 00003A	FL LAMP	100V 10W FL10
12	F90 03074A	ILLUMINATION BOX A	
13	F90 03075B	ILLUMINATION BOX B	
14	E30 10644A	SPEAKER COVER L	
15	E30 10645A	SPEAKER COVER R	
16	F90 03156A	SPEAKER MASK	
17	G95 00734B	NAME PLATE A	
18	G95 00722B	NAME PLATE B	
	L90 02812A	FL HARNESS	