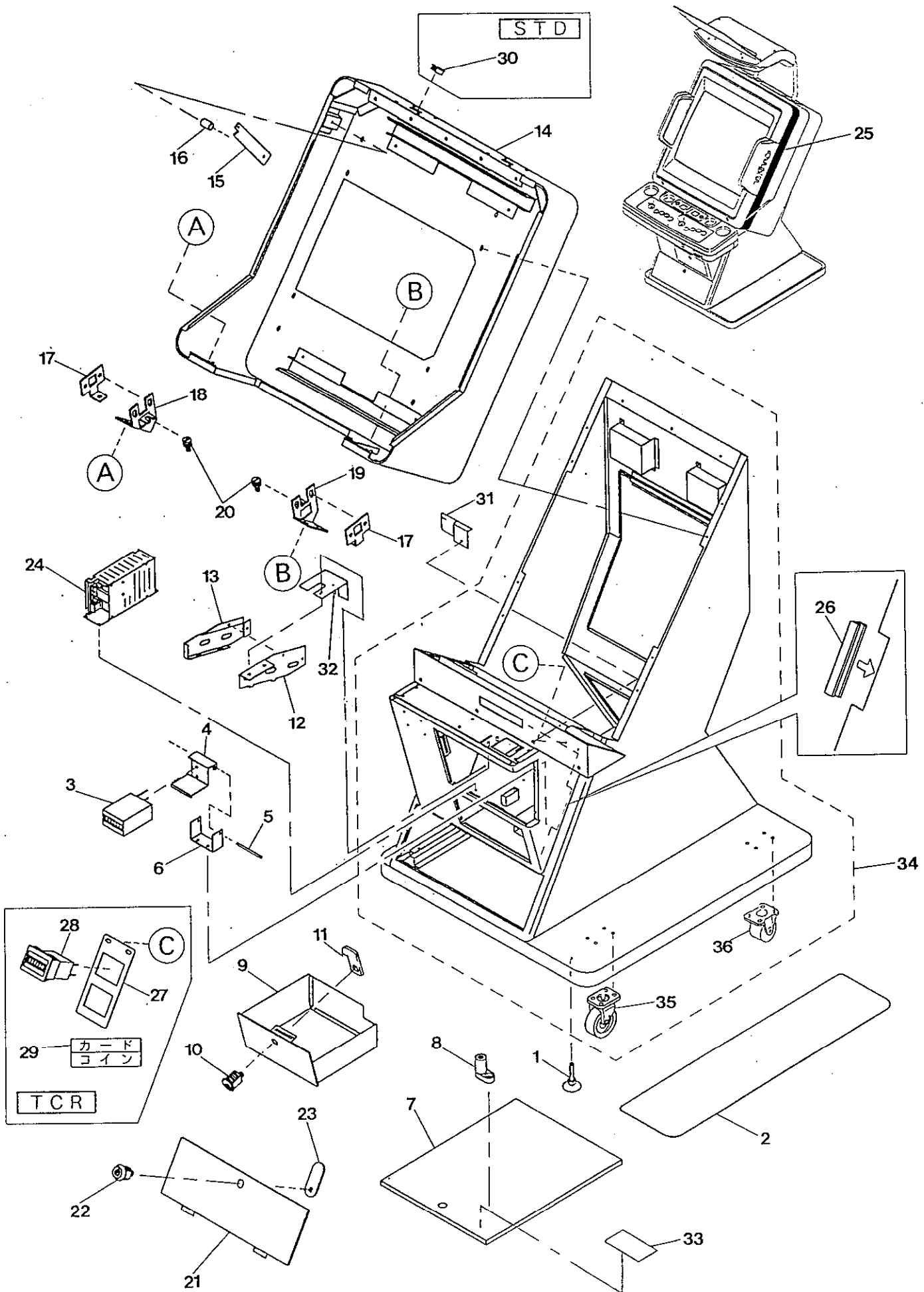


EGRET 29™

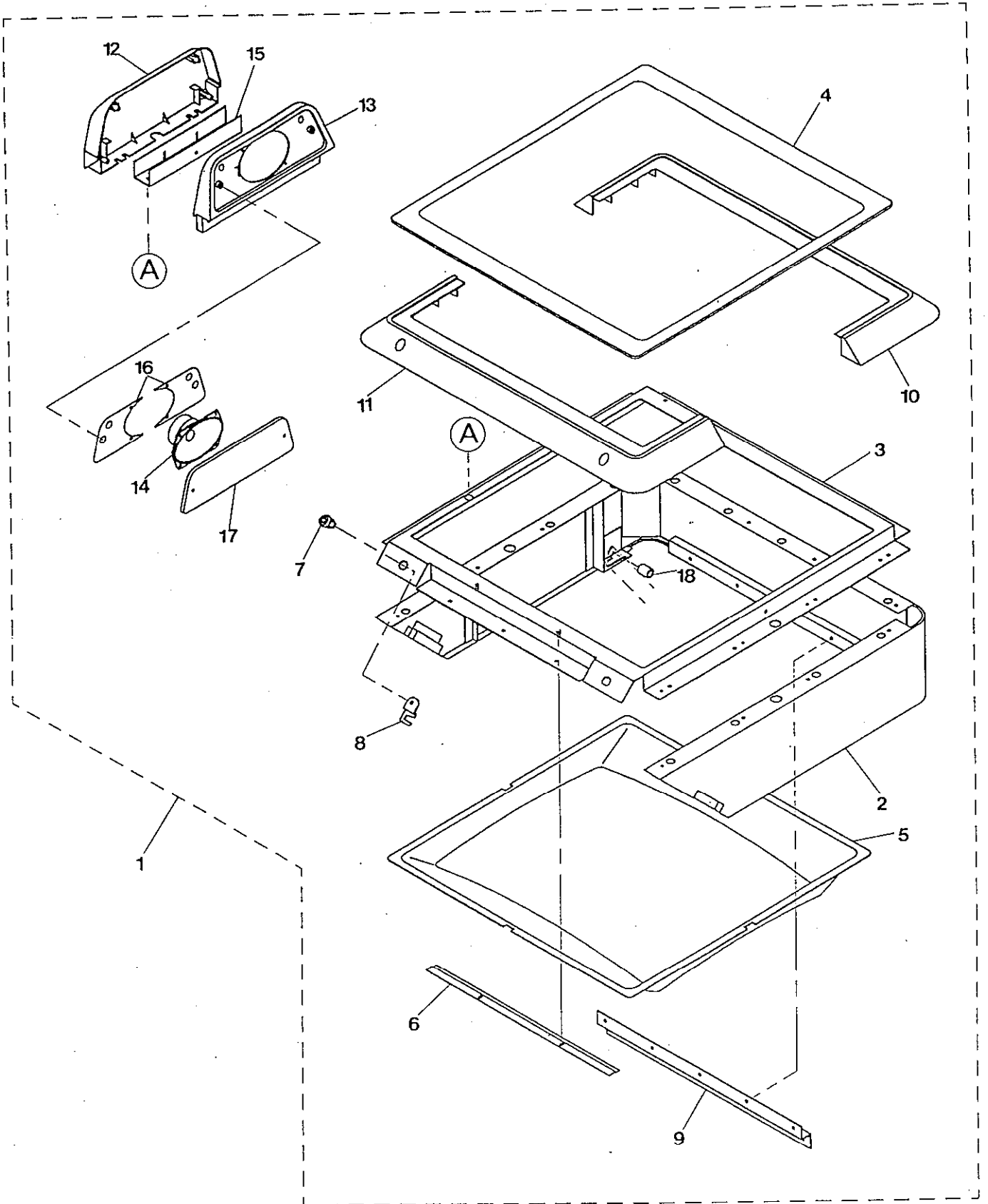
PARTS CATALOGUE

E30 10456A	CABINET	17
M90 03101A	FRONT BOX ASSY	19
M90 03102A	MONITOR ROLL ASSY	21
———	CONTROL BOX ASSY	23
———	CONTROL PANEL ASSY	25
M05 00264A	REJECTOR DOOR ASSY	27
M90 03106A	ELECTRIC BASE ASSY	29
M90 03120A	ILLUMINATION BOX ASSY	31

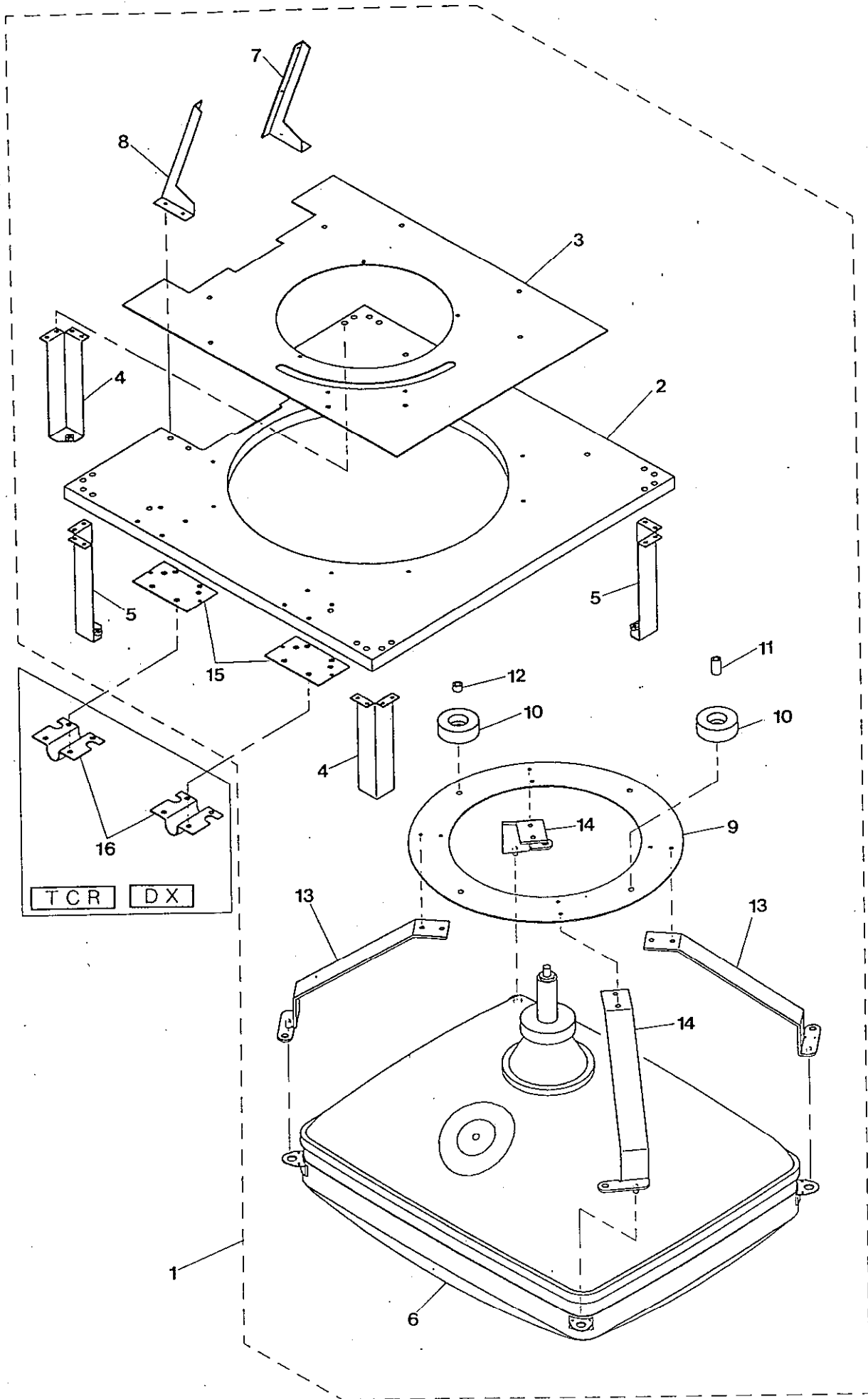
本機は、コントロール部等が青色のタイプと赤色のタイプがあり、当てはまる部品にのみ部品番号の前にいずれかを表示しています。



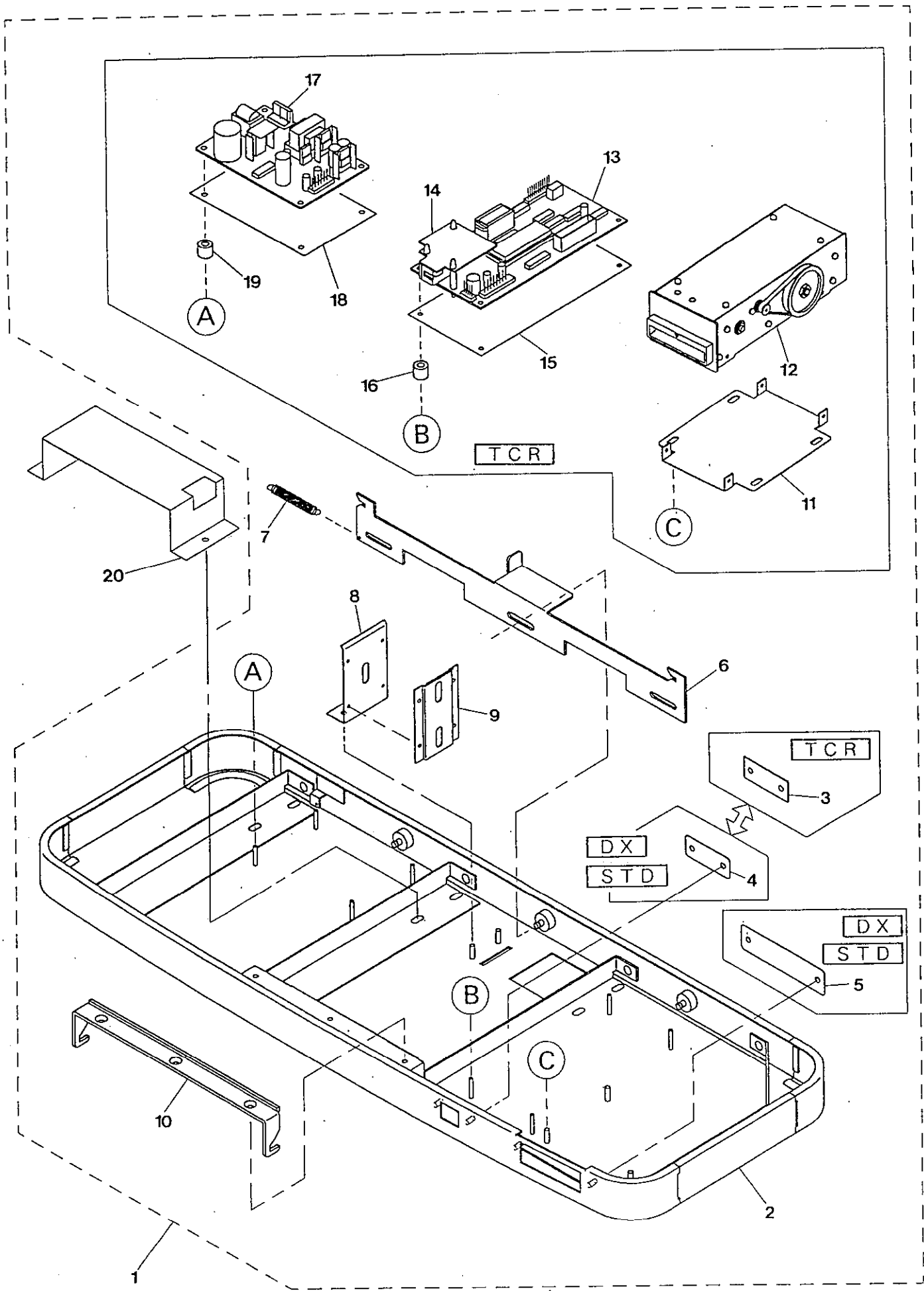
ITEM	PARTS	No.	DESCRIPTION	
1	E30	10598A	ADJUSTER H=67	
2	F90	03141B	MAT	
3	C17	00054A	COUNTER	NX-06R DC5V
4	E30	10595A	COUNTER STAY	
5	E10	01294A	COUNTER SHAFT	
6	E30	10594A	COUNTER BRACKET	
7	D20	01247A	PCB BOARD	
8	F90	00668A	RES LOCK	0L-E3
9	E30	10459B	CASH BOX	
10	E50	00102B	DOM LOCK	C820 (R) W/2 90
11	E30	11774A	LOCK PLATE	
12	E30	11285A	COIN CHUTE A-N	
13	E30	11286B	COIN CHUTE B-N	
14	E30	10460A	TV BOX	
15	E30	10599A	STAY	
16	P57	00034A	SPACER	5x4
17	E30	10591A	KEY HOOK	
18	E30	10596B	KEY HOOK BASE L	
19	E30	10597B	KEY HOOK BASE R	
20	E10	01293A	KEY SCREW	
21	E30	10462A	PCB DOOR	
22	E50	00127B	LOCK SINGLE	LY-0069
23	E30	00009A	LOCK PLATE	
24	M41	00079A	SWITCHING REGULATOR	ETX-951C5J
25	青G15	00879C	BODY STICKER SHEET	
	赤G15	01001A	BODY STICKER SHEET RED	
26	F90	03219A	EDGING	NKE-024
27	E30	10701A	METER BRACKET	
28	C17	00055A	COUNTER	NX-06P DC24V
29	G10	00838A	COUNTER STICKER	
30	F90	01053A	BUTTON COVER	DP-1187
31	E30	11770A	LOCK BRACKET	
32	E30	11287A	CHUTE SUPPORT	
33	G10	01180A	P STICKER	
	L10	00273A	MAIN HARNESS	
	L20	00408A	SUB HARNESS	W-60P
34	E30	10456B	CABINET	
35	E50	60482A	CASTER	E50N
36	E50	60485A	CASTER	ER50N



ITEM	PARTS	No.	DESCRIPTION	
1	M90 03101A		FRONT BOX ASSY	
2	E30 10464A		FRONT BOX	
3	E30 10603A		MASK BASE	
4	G95 00732A		FRONT GLASS	
5	F90 03076B		VIDEO MASK 29"	
6	E30 10604A		MASK SUPPORT	
7	E50 00137B		LOCK DOUBLE	LY-0069
8	E30 10605A		KEY PLATE	
9	E50 60484A		TOP HINGE	
10	F90 03069B		FRONT PANEL A	
11	F90 03070C		FRONT PANEL B	
12	F90 03071C		SPEAKER BOX A	
13	F90 03072C		SPEAKER BOX B	
14	A60 00086A		SPEAKER	8 OHM 5.5W 3x5
15	E30 10601A		SPEAKER BOX SUPPORT	
16	H30 00075A		SPEAKER BOX INNER	
17	E30 10602A		SPEAKER COVER	
18	F90 01926A		PANEL SPACER	5.2x10x3.5
	L90 02897A		SP JOINT HARNESS	
	L90 02898A		SPEAKER HARNESS	



ITEM	PARTS No.	DESCRIPTION	
1	M90 03102A	MONITOR ROLL ASSY	
2	D20 01248B	VIDEO BOARD	
3	E30 10611A	UNDER BASE	
4	E30 10609B	VIDEO SUPPORT L	
5	E30 10610A	VIDEO SUPPORT R	
6	M11 00001A	VIDEO ASSY 29"	MS8-29FTB
7	E30 10612A	TV PCB ANGLE L	
8	E30 10613A	TV PCB ANGLE R	
9	E30 10606A	VIDEO BASE	
10	F90 03142B	MONITOR ROLLER	
11	E10 01295A	COLLAR L	
12	E10 01296A	COLLAR S	
13	E30 10607A	VIDEO ANGLE A	
14	E30 10608A	VIDEO ANGLE B	
15	E30 10814A	PIPE PLATE	
16	E30 10815A	PIPE SUPPORT	



ITEM	PARTS	No.	DESCRIPTION	
1	—		CONTROL BOX ASSY	
2	E30 10458A		CONTROL BOX	
3	F90 03170A		IR COVER	
4	E30 10617A		IR MASK	
5	E30 10618A		CARD READER MASK	
6	E30 10614A		LOCK SLIDE	
7	E40 00388A		LOCK SPRING	
8	E30 10615A		COIN GUIDE A	
9	E30 10616A		COIN GUIDE B	
10	E30 10619A		UNDER HANGER	
11	E30 10702A		READER BASE	
12	M90 01269A		CARD READ WRITER	KU-A201-NTB
13	K91 00298B		TERMINAL PC BOARD ASSY	TCR-100A
14	K91 00145A		IR ADAPTER PC BOARD ASSY	
15	F90 03172A		INSULATOR	
16	F90 00912A		PLASTIC SPACER	3x6x7
17	M41 00025A		SWITCHING REGULATOR	ETU-2MU01P
18	F90 01360A		INSULATOR	
19	F90 00912A		PLASTIC SPACER	3x6x7
	L90 01227A		M HARNESS	
	L90 02825C		RELAY HARNESS	
20	E30 11262A		SWITCHING COVER	