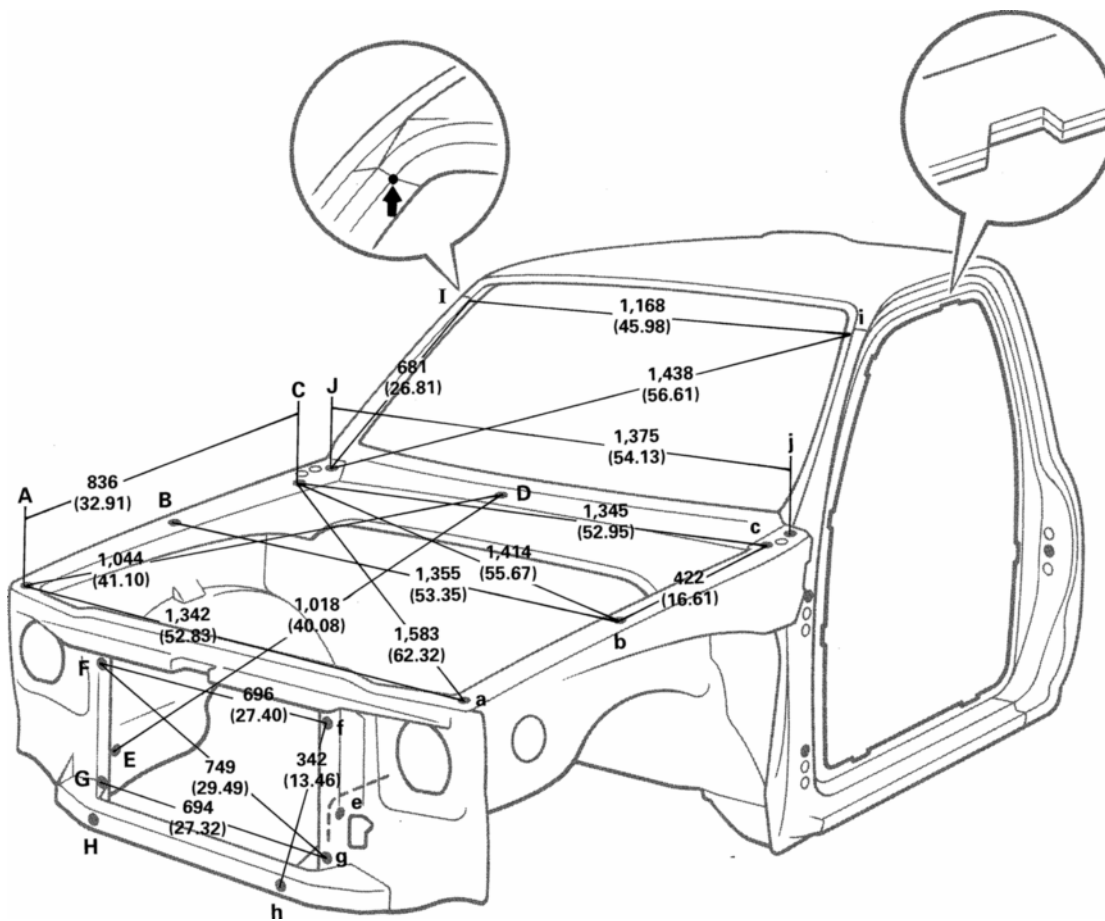


BODY DIMENSION DRAWINGS
ENGINE COMPARTMENT

(Three-Dimensional Distance)



HINT: For symbols, capital letters indicate right side of vehicle, small letters indicate left side of vehicle (Seen from rear).

mm (in.)

Symbol	Name	Hole dia.	Symbol	Name	Hole dia.
A, a	Front fender installation nut	6 (0.24) nut	f	Radiator installation hole	10 (0.39)
B, b	Front fender installation nut	6 (0.24) nut	G	Radiator installation hole	15 (0.59)
C, c	Front fender installation nut	6 (0.24) nut	g	Radiator installation hole	13 (0.51)
D	Cowl top panel center mark	—	H, h	Front crossmember standard hole	15 (0.59)
E, e	Front fender apron standard mark	10 (0.39)	I, i	Roof panel / Front body pillar adjoining portion	—
F	Radiator installation hole	13×10 (0.51×0.39)	J, j	Hood hinge installation nut—rear	8 (0.31) nut